

GIGA[®]



DUCA
CRANES

ELECTROPALANE CU LANT GIGA

TIP CH1, CH2, CH3

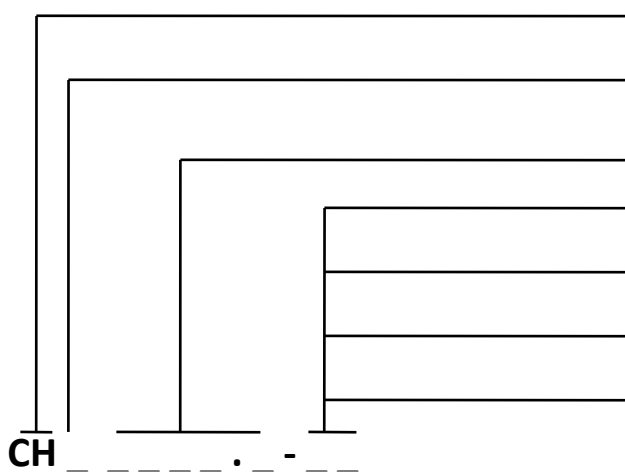
ELECTRIC CHAIN HOISTS GIGA

TYPE CH1, CH2, CH3

Identificarea tipului de electropalan cu lant / Chain hoist type identification

Identificare / Identification

Descriere / Description



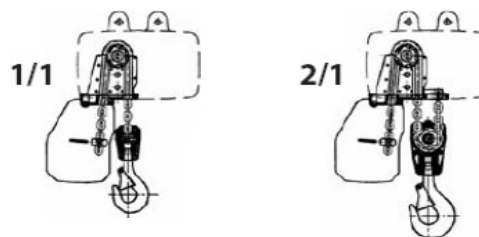
- CH** - produs de GIGA Company CZ
- made by GIGA Ltd.
- descrierea tipului de electropalan
hoist type specification
- capacitatea max. de ridicare si viteza max. de ridicare
max. lifting capacity and max. lifting speed
- S** - electropalan fix, fara carucior
- a stationary hoist, no trolley
- H** - electropalan cu prindere in carlig
- a hoist hung on a hook
- JR** - electropalan cu translatare manuala
- a hoist with push trolley
- JE** - electropalan cu carucior electric
- a hoist with electric trolley

Exemplu de identificare electropalan: capacitate de ridicare 2000 kg, viteza de ridicare 1.25/5m/min, cu carucior electric:

Exemple of hoist identification: lifting capacity 2000 kg, lifting speed 1.25/5m/min, with electric trolley:

CH3 2000.5-JE

Disponere pe ramuri cu lant / Chain reeving:



Tip	CHx	CH1	CH1	CH2	CH2	CH2	CH1	CH2	CH2	CH3	CH2	CH3	CH2	CH3	CH2	CH3	CH3	CH3	CH3	CH3	
Type		125.8-x	250.8-x	250.8-x	320.8-x	400.8-x	500.4-x	500.4-x	500.8-x	500.10-x	630.4-x	630.10-x	800.4-x	800.10-x	1000.4-x	1000.5-x	1000.10-x	1250.5-x	1600.5-x	2000.5-x	
Capacitate de ridicare Lifting capacity	kg	125	250	250	320	400	500	500	500	500	630	630	800	800	1000	1000	1000	1250	1600	2000	
Viteza ridicare Lifting speed	m/min	2,0/8,0	2,0/8,0	2,0/8,0	2,0/8,0	2,0/8,0	1,0/4,0	1,0/4,0	2,0/8,0	2,5/10,0	1,0/4,0	2,5/10,0	1,0/4,0	2,5/10,0	1,0/4,0	1,25/10,0	2,5/10,0	1,25/5,0	1,25/5,0	1,25/5,0	
Descrieri mecanice Mech specific.	ISO	M5	M4	M6	M6	M5	M4	M6	M4	M6	M6	M5	M5	M4	M4	M6	M3	M6	M5	M4	
	FEM	2m	1Am	3m	3m	2m	1Am	3m	1Am	3m	3m	2m	2m	1Am	1Am	3m	18m	3m	2m	1Am	
Nr. de ramuri Chain line	x/1	1/1	1/1	1/1	1/1	1/1	2/1	2/1	1/1	1/1	2/1	1/1	2/1	1/1	2/1	2/1	1/1	2/1	2/1	2/1	
Dimens. lant Dimens. chain	DIN 5684-8	5X15	5X15	5X15	5X15	5X15	5X15	5X15	5X15	7x21	5X15	7x21	5X15	7x21	5X15	7x21	7x21	7x21	7x21	7x21	
Inaltime de ridicare Lifting height	m	3	3	3	3	3	3	3	3	3	3	3	3	3	3	3	3	3	3	3	
Motor de ridicare Lifting motor	kW	0,09/0,36	0,09/0,36	0,18/0,75	0,18/0,75	0,18/0,75	0,09/0,36	0,18/0,75	0,18/0,75	0,45/1,90	0,18/0,75	0,45/1,90	0,18/0,75	0,45/1,90	0,18/0,75	0,45/1,90	0,45/1,90	0,45/1,90	0,45/1,90	0,45/1,90	
	%ED c/h	60 360	60 360	40 240	40 240	40 240	60 360	40 240	40 240	30 240	40 240	30 240	40 240	30 240	40 240	30 240	30 240	30 240	30 240	30 240	
Viteza carucior Trolley speed	JE	5/20 m/min - 0.06/0.25kW cu frana 5/20 m/min - 0.06/0.25kW with brake																			
Greutati [kg] Weights [kg]	"S"	30	30	31	31	31	30	33	31	51	33	51	33	51	33	54	51	54	54	54	
	"H"	31	31	32	32	32	31	34	32	55	35	55	35	55	35	58	55	58	58	58	
	"JR"	44	44	45	45	45	44	47	45	67	47	67	47	67	47	70	67	70	70	70	
	"JE"	52	52	53	53	53	52	55	53	75	55	75	55	75	55	78	75	78	78	78	
Toate datele despre greutate mentionate mai sus sunt pt. inaltimea de baza de 3m / All above mentioned weight data are only for 3m base lifting height																					
Greutatea creste pt. fiecare 1m inaltime de ridicare / Weight increasing on each 1m of lifting:																					
kg/1m	kg	0,6	0,6	0,6	0,6	0,6	1,2	1,2	0,6	1,1	1,2	1,1	1,2	1,1	1,2	2,2	1,1	2,2	2,2	2,2	

Nota / Note:

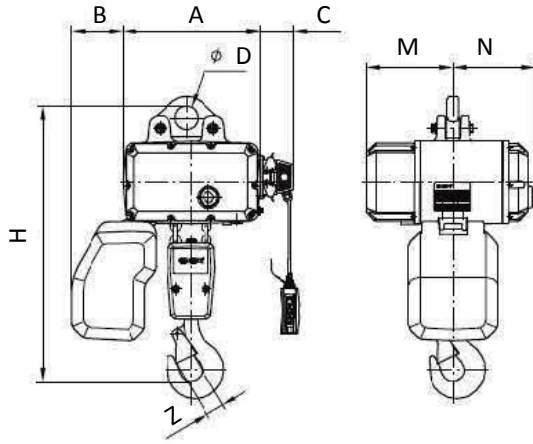
Datorita dezvoltarii tehnice, producatorul are dreptul sa faca schimbari pentru a imbunatati calitatea produselor si in avans, sa indeplineasca noi reglementari si recomandari tehnice.

The manufacturer, due to the technical development, has the right of changes in order to improve the quality of the products and, ahead of time, to fulfill new technical regulations and recommendations.

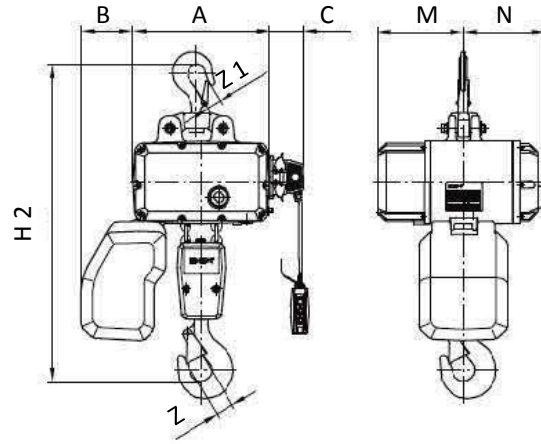
Electropalan cu lant Tip CH1, CH2, CH3
 Capacitati de ridicare 125 – 2000 kg

Electric chain hoist Type CH1, CH2, CH3
 Lifting capacities 125 – 2000 kg

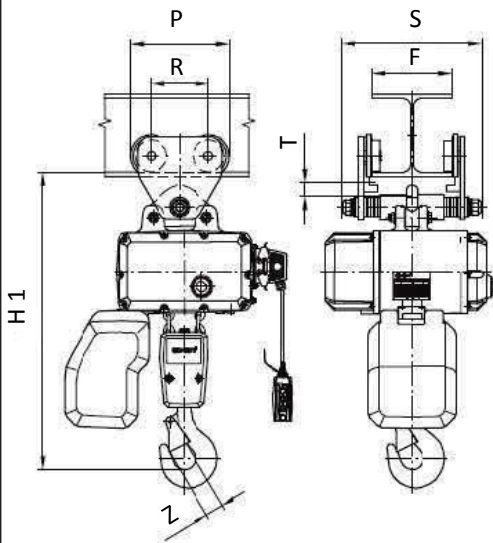
FIX / STACIONARY



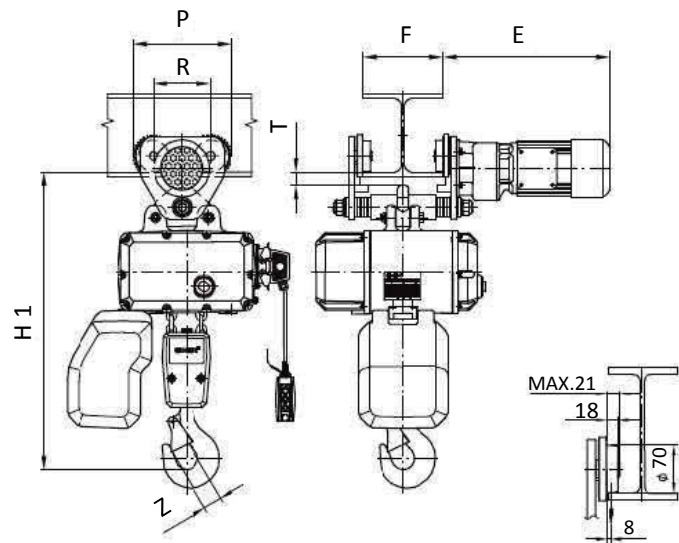
PRINDERE IN CARLIG / HUNG ON HOOK



CU TRANSLATIE MANUALA / WITH PUSH TROLLEY



CU CARUCIOR ELECTRIC / WITH ELECTRIC TROLLEY



Toate dimensiunile sunt in mm / All dimension in mm

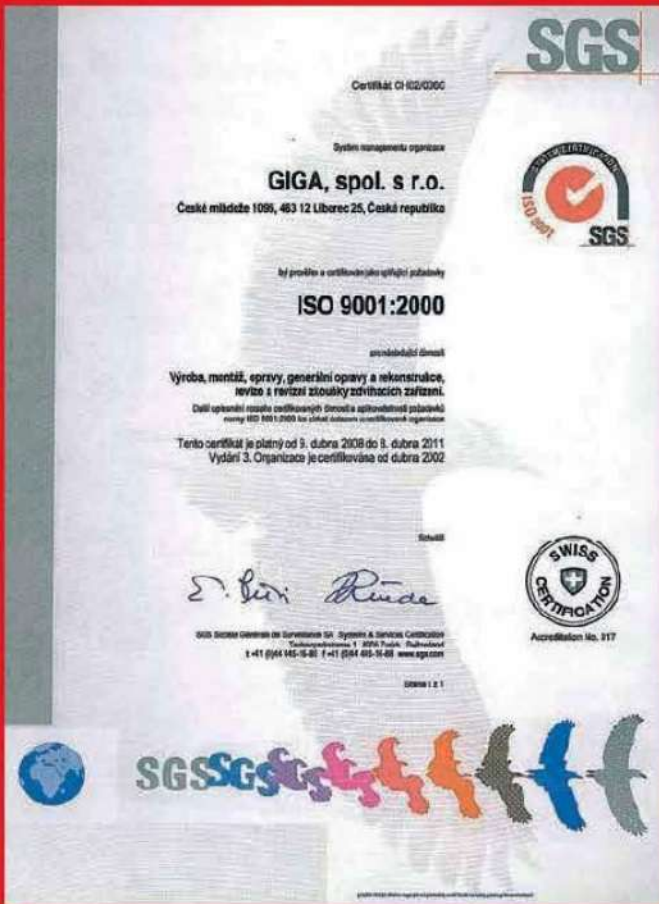
TIP / TYPE	A	B	C	M	N	D	Z	Z1	H	H1	H2	R	P	E	F	S	T
CH1 xxx.8	280	69	77	165	168	36	26,4	30,8	370	430	460	129	222	380	50 - 133	256	45
CH1 xxx.4							30,8		425	485	515						
CH2 xxx.8							37,4		400	460	510						
CH2 xxx.4							37,4		465	525	575						
CH3 xxx.10	310	116		196	185	52	37,4	44	480	535	590				218 - 302	424	
CH3 xxx.5							44		570	625	680						

Nota:

- tensiunea electrica de operare / comanda 400V / 50Hz
- la cerere diferite tensiuni si frecvente
- temperatura de operare: -10 pana la +40 °C
- inaltimea de ridicare de baza 3m
- grad protectie - IP55 din EN 60529 / motor translatie – IP54
- raza minima a caii de rulare: 1,5m
- la cerere se pot realiza inaltime diferite de ridicare, viteze diferite de ridicare si viteze diferite ale caruciorului
- de asemenea, capacitatea de ridicare pana la 250 kg este realizata cu grupa de functionare 4m conform FEM

Please note:

- operation / control voltage 400V / 50Hz
- different voltages and frequencies on request
- operating temperature: - 10 to +40°C
- base lifting height 3m
- el. Enclosure – IP55 by EN 60529 / motor for travel – IP54
- minimal radius of truck way: 1.5m
- different lifting height, lifting speed and trolley speed are made on request
- lifting capacity to 250 kg are made with spec. 4m by FEM too!



GIGA[®], spol. s r.o.

DUCA
CRANES

S.C. DUCA CRANES S.R.L.
Telefon: 0723 708 028
Email: office@ducacranes.ro
www.ducacranes.ro