



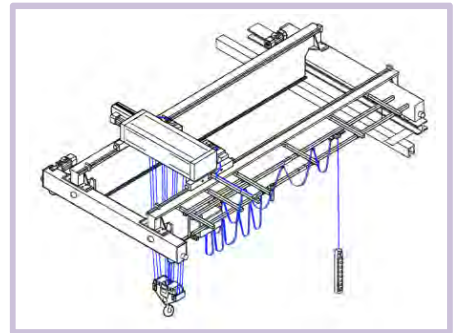
Festoon system – line 30 – 41 and 41 inox Giovenzana

page 68 to 79

The festoon system is the traditional system for energy transmission for various type of handling equipment. One of the most popular is the overhead crane where the festoon lines transmit the signals to control the movement of the crane.

Line 30 and 41 Giovenzana are made of a "C"- rail bar fixed along the crane's movement line. The signal cable is supported by the trolley that slides inside the "C"-rail bar.

Both lines 30 and 41 offer a complete selection of items and accessories to customize them according Customer needs.



C- rail bar system

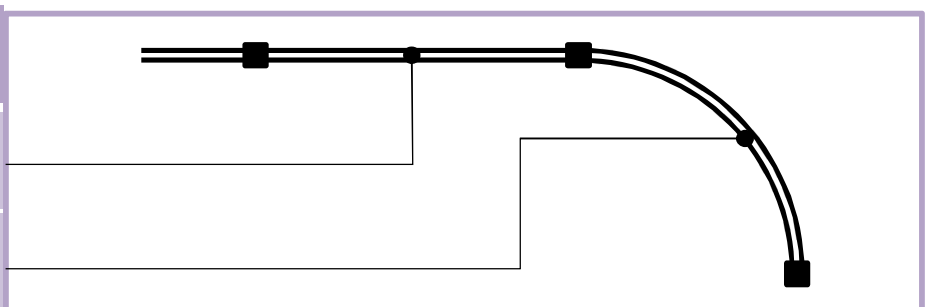
Line	Characteristic			Markings
30	<input type="checkbox"/> Bar height: 30 mm	<input type="checkbox"/> Load capacity: 100 kg/m		CE EAC
41	<input type="checkbox"/> Bar height: 41 mm	<input type="checkbox"/> Load capacity :140 kg/m		CE EAC
41 stainless steel	<input type="checkbox"/> Bar height: 41 mm	<input type="checkbox"/> Load capacity :140 kg/m	<input type="checkbox"/> Stainless steel material	CE EAC


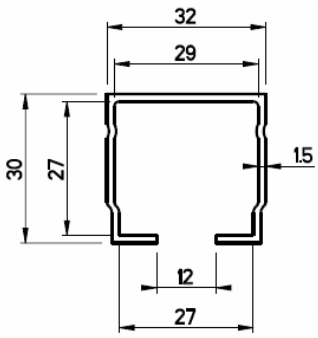

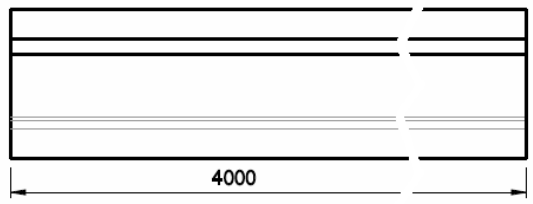

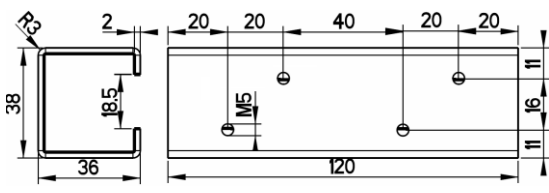

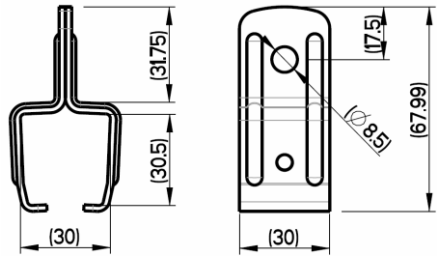

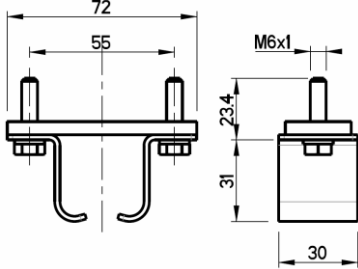
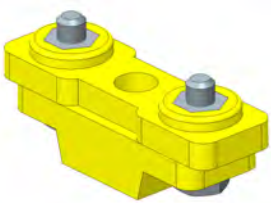
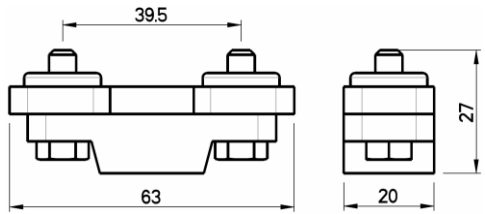
Typical line schematic:

ID	Picture	Name
①		C-rail bar
②		Support arm and support bracket
③		Towing trolley
④		Trolley
⑤		Joint
⑥		Head clamp
⑦		End Cap
⑧		Cable
⑨		End stop

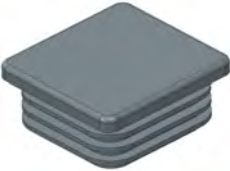
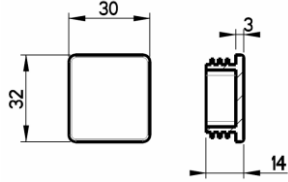

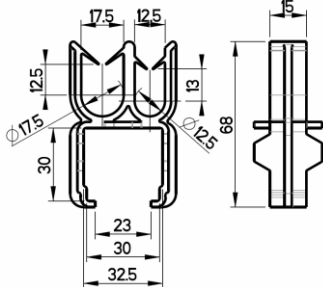

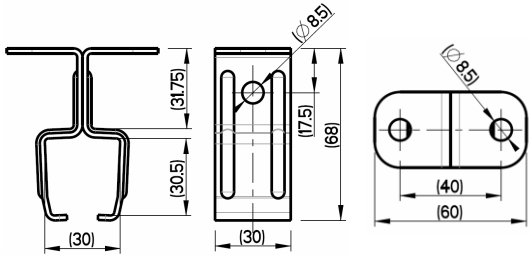

Festoon line module type

Straight:	4 meters module (3 meters for stainless steel)
Curve:	90° curve radius 1.5 m (only line 41)



Picture	Description	Code	Dimensions
	<p>C-Rail bar</p> <ul style="list-style-type: none"> <input type="checkbox"/> Material: galvanized steel <input type="checkbox"/> Length: 4 m <input type="checkbox"/> Weight: 5 kg 	30607001	
	<p>Bracket</p> <ul style="list-style-type: none"> <input type="checkbox"/> Material: galvanized steel 	<p>30607001/05 (length 0.5 m)</p> <p>30607001/08 (length 0.8 m)</p>	
	<p>Joint</p> <p>to connect a C-rail and suitable for supporting the track</p> <ul style="list-style-type: none"> <input type="checkbox"/> Material: galvanized steel <p>Screws M5x10 included</p>	30607002	
	<p>Track support bracket</p> <p>2 pcs</p> <ul style="list-style-type: none"> <input type="checkbox"/> Material: galvanized steel <input type="checkbox"/> Max support spacing: 1 m <p>screws not included</p>	30607003	
	<p>Support arm bracket (hanger)</p> <ul style="list-style-type: none"> <input type="checkbox"/> Material: galvanized steel 	30607004	
	<p>End stop</p> <ul style="list-style-type: none"> <input type="checkbox"/> Material: PA6 	30607005	

Picture	Description	Code	Dimensions
	Head clamp <input type="checkbox"/> Material: PA	30607020 (55 mm saddle) 30607006 (76 mm saddle)	
	Towing trolley <input type="checkbox"/> Material: galvanized steel <input type="checkbox"/> Steel rollers with ball-bearing <input type="checkbox"/> 68 mm steel saddle	30607007	
	Trolley with safety plug and socket connection To connect the festoon system to the pendant station <input type="checkbox"/> 68 mm saddle	30607008 (16 poles) 30607019 (24 poles)	 X: 93 for 16poles 120 for 24poles
	Trolley (steel) <input type="checkbox"/> Material: galvanized steel <input type="checkbox"/> 68 mm steel saddle	30607009 (PA wheels) 30607010 (ball-bearing wheels)	
	Trolley (PA) <input type="checkbox"/> Material: PA <input type="checkbox"/> PA rollers <input type="checkbox"/> 55 mm PA material saddle	30607011	
	Support arm clip (claw) <input type="checkbox"/> Material: galvanized steel (need n° 2 for every bracket)	30607012	

Picture	Description	Code	Dimensions
	End cap	30607015	
	Cable clip	30607016	
	Track support bracket Ceiling fixing 2 pcs <input type="checkbox"/> Material: galvanized steel <input type="checkbox"/> Max support spacing: 1 m screws not included	30607017	
	Round cable trolley <input type="checkbox"/> Galvanized steel trolley upper body with PA saddle <input type="checkbox"/> Steel rollers with ball-bearing <input type="checkbox"/> Swinging & rotating saddle <input type="checkbox"/> Cable diameter: min 10 – MAX 40 mm	30607021	