

Pendant Stations

cranes control circuits: **PL**



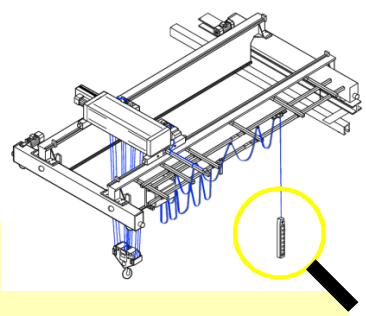
LIFTING EQUIPMENT



KIT Available See pg. 18
Available in UL/CSA req.

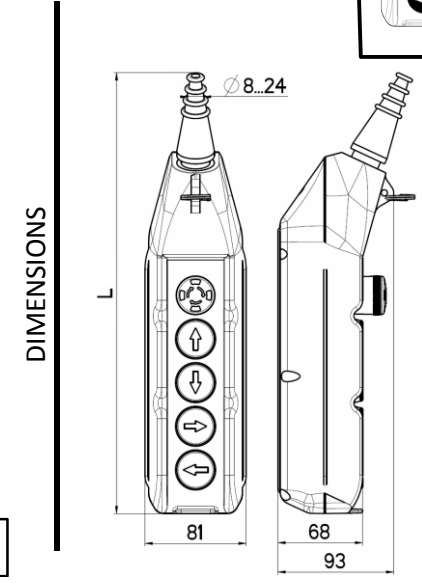
Characteristics:

- Bi-directional, mechanically interlocked
- IP 65 double insulation IEC/EN60529
- General and electrical data page 23
- Laser engraved symbols comply with EN60204-1, FEM 9.941
- Shock proof and heat resistant
- Available in UL/CSA requirements



CODE	PL05/E	PL05D2/E	PL05D4/E	PL07/E	PL07D2/E	PL07D4/E	PL07D6/E	PL08/E	PL08D2/E	PL08D4/E	PL08D6/E	PL10/E	PL12/E
weight [gr.]	600	625	655	800	830	855	880	890	915	945	970	1.105	1.290
N° push button	5	5	5	7	7	7	7	8	8	8	8	10	12

L	length [mm]	PL05/E	PL05D2/E	PL05D4/E	PL07/E	PL07D2/E	PL07D4/E	PL07D6/E	PL08/E	PL08D2/E	PL08D4/E	PL08D6/E	PL10/E	PL12/E
LAYOUT														



PUSH BUTTON TYPE – CONTACT TYPE COUPLED

(*) two speed contact block