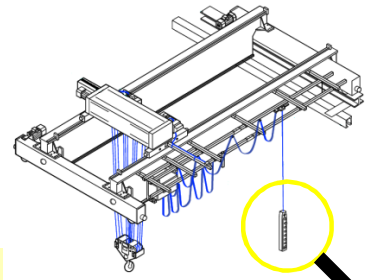


# Pendant Stations

cranes control circuits: **PLB**



KIT Available See pg. 18

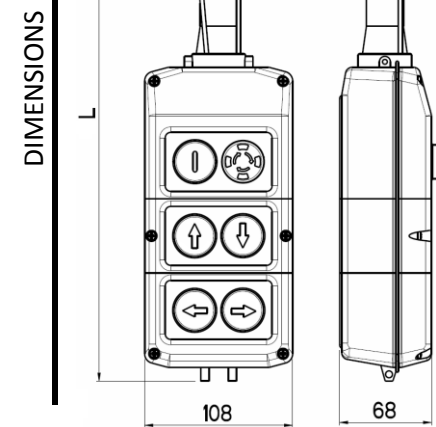
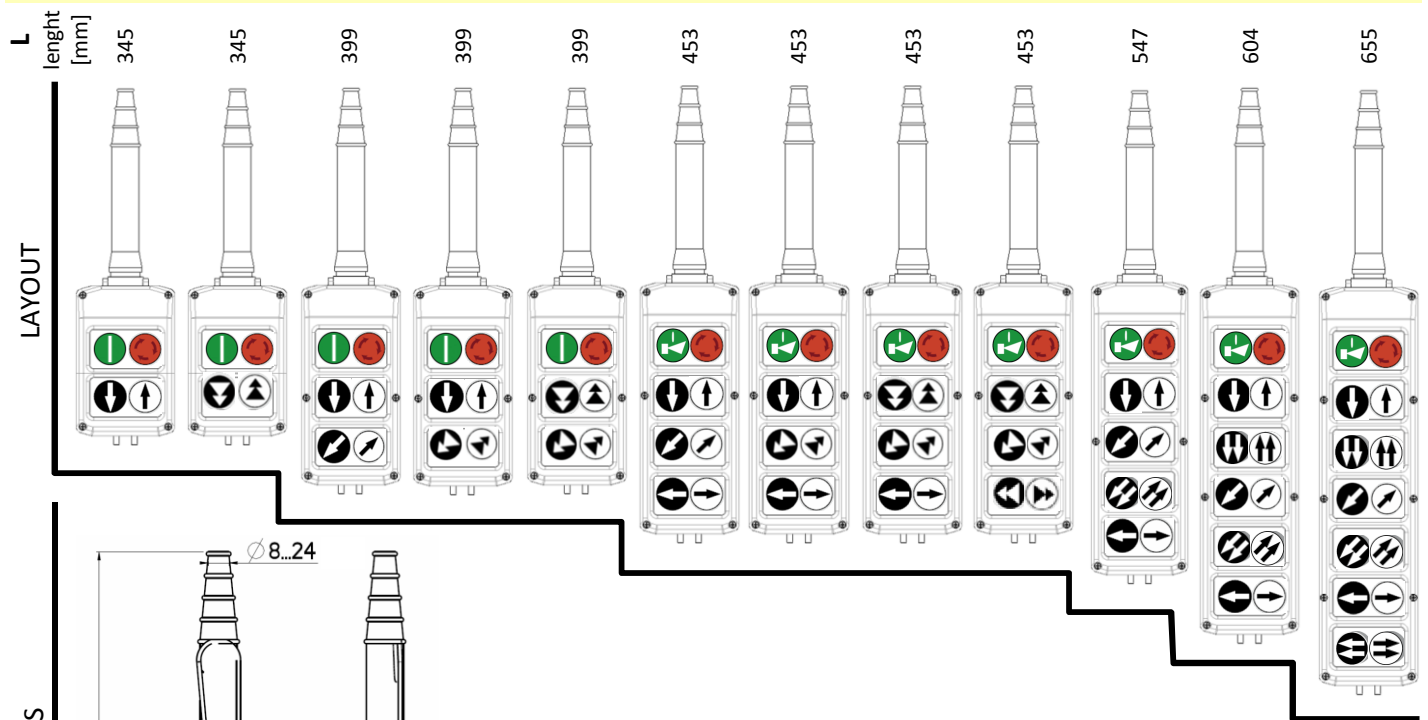


LIFTING EQUIPMENT

### Characteristics:

- Bi-directional, mechanically interlocked
- IP 65 double insulation IEC/EN60529
- General and electrical data page 23
- Laser engraved symbols comply with EN60204-1, FEM 9.941
- Shock proof and heat resistant

CODE	PLB04/E	PLB04D2/E	PLB06/E	PLB06D2/E	PLB06D4/E	PLB08/E	PLB08D2/E	PLB08D4/E	PLB08D6/E	PLB10/E	PLB12/E	PLB14/E
weight [gr.]	530	555	700	730	755	860	895	920	945	1.080	1.245	1.445
N° push button	4	4	6	6	6	8	8	8	8	10	12	14



TIPO DI PULSANTE – TIPO DI CONTATTO ABBINATO


(\*) two speed contact block